

DETAIL E
(SCALE 4:1)

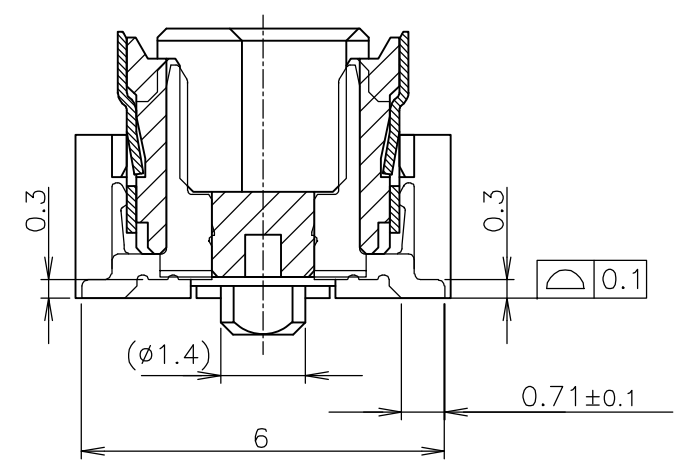
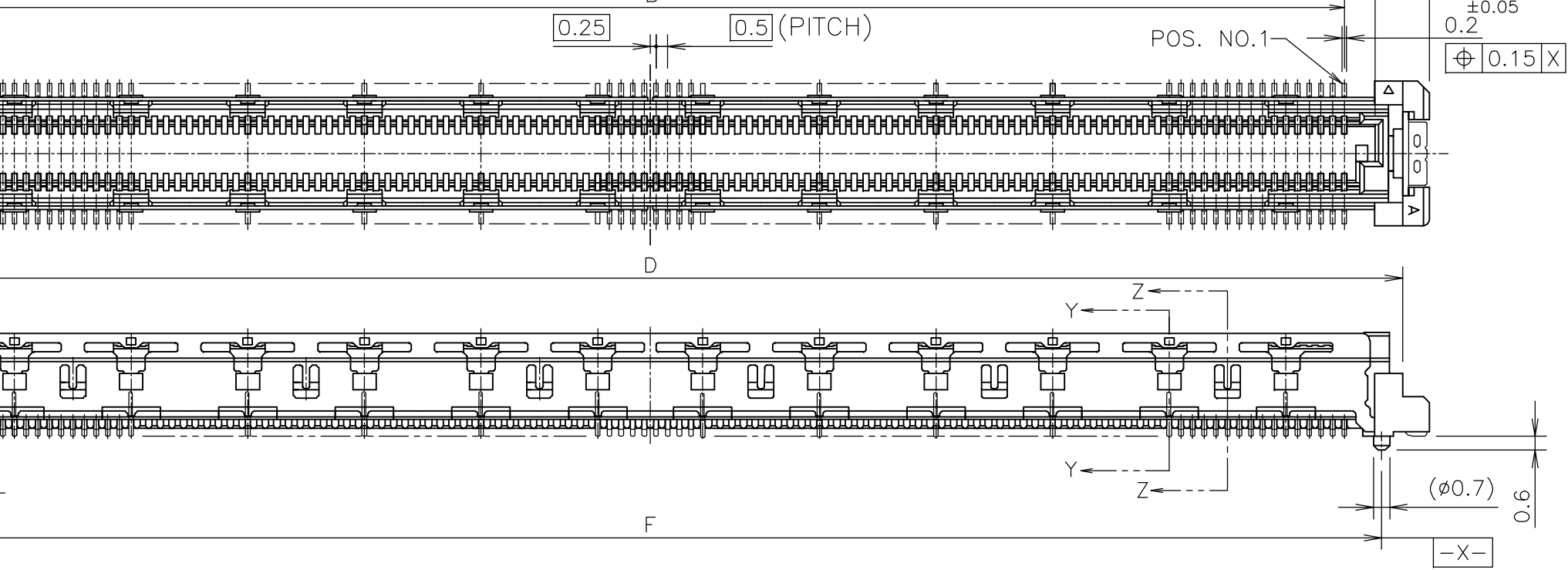
NO	3	30	
SEALANT	ROW	QTY	

THIS DRAWING IS A CONTROLLED DOCUMENT.		DWN	S.CH IEN	18MAY05
		CHK	T.FUTATSUGI	18MAY05
DIMENSIONS:	TOLERANCES UNLESS OTHERWISE SPECIFIED:	APVD	TAKEDAWA	18MAY05

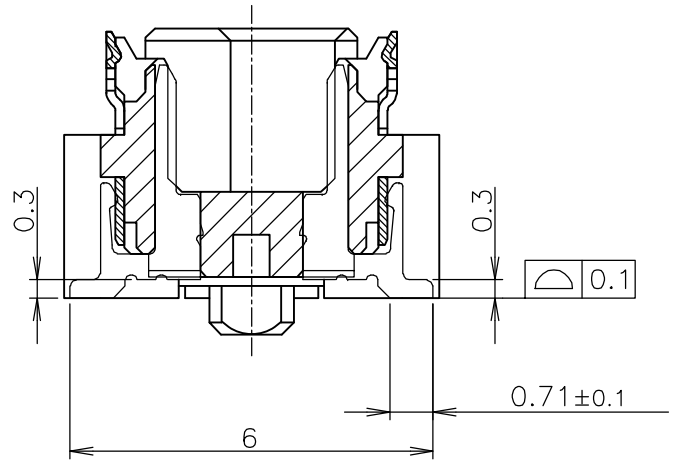
tyco
Electronics

Tyco Elec
Kawasaki

NAME



SECT. Z-Z
(SIGNAL POSITION)
(SCALE 8:1)



SECT. Y-Y
(GROUND POSITION)
(SCALE 8:1)

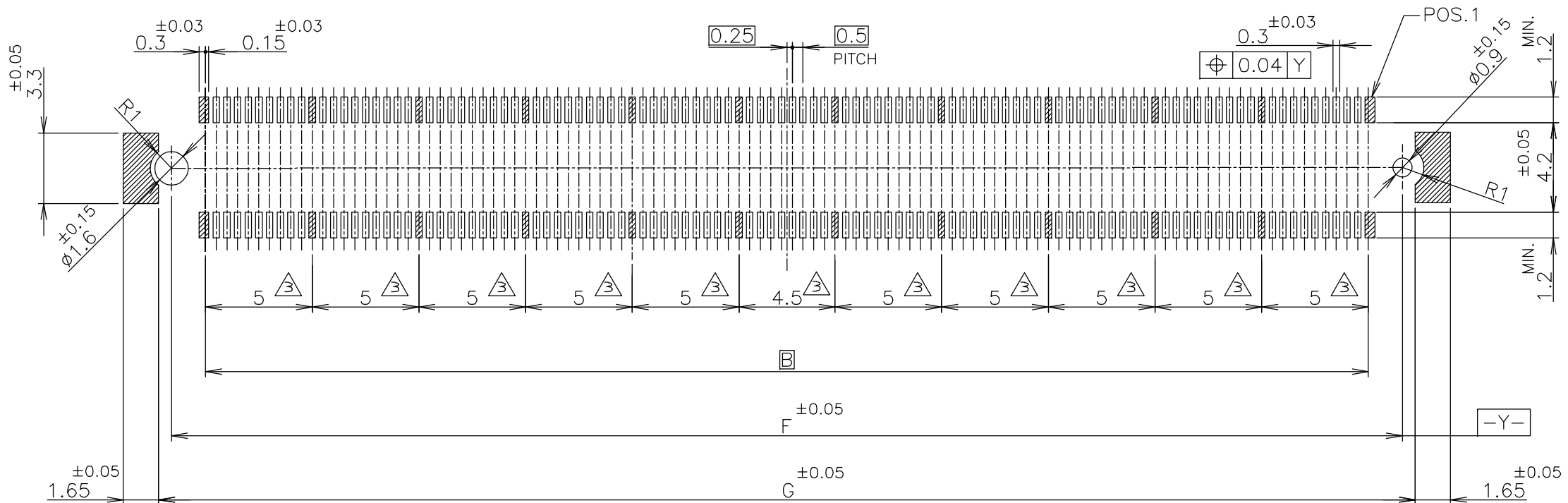
57.7	61.8	59.5	57.1	54.5	B
F	E	D	C	B	CON

THIS DRAWING IS A CONTROLLED DOCUMENT.		DWN
DIMENSIONS:		CHK
TOLERANCES UNLESS OTHERWISE SPECIFIED:		APVD

tyco
Electronics

Tyco Elec
Kawasaki

NAME



REFERENCE P.C.BOARD LAYOUT OF CONNECTOR

HOUSING: HIGH TEMP THERMO PLASTIC UL94V-0
CONTACT: COPPER ALLOY
SOLDER PEG : COPPER ALLOY
CONTACT : UNDER PL. Ni 0.0013mm MIN ALL OVER
CONTACT AREA 0.0002mm MIN Au PL.
SOLDERING AREA 0.00005mm MIN Au PL.
SOLDER PEG: TIN PL. 0.0001mm MIN OVER
UNDER PL. Ni OR COPPER 0.0013mm MIN ALL OVER
PIN IS GROUND CIRCUIT.

THIS DRAWING IS A CONTROLLED DOCUMENT.		DWN	tyco Electronics	Tyco Elec
		CHK		Kawasaki
DIMENSIONS:	TOLERANCES UNLESS OTHERWISE SPECIFIED:	APVD	NAME	